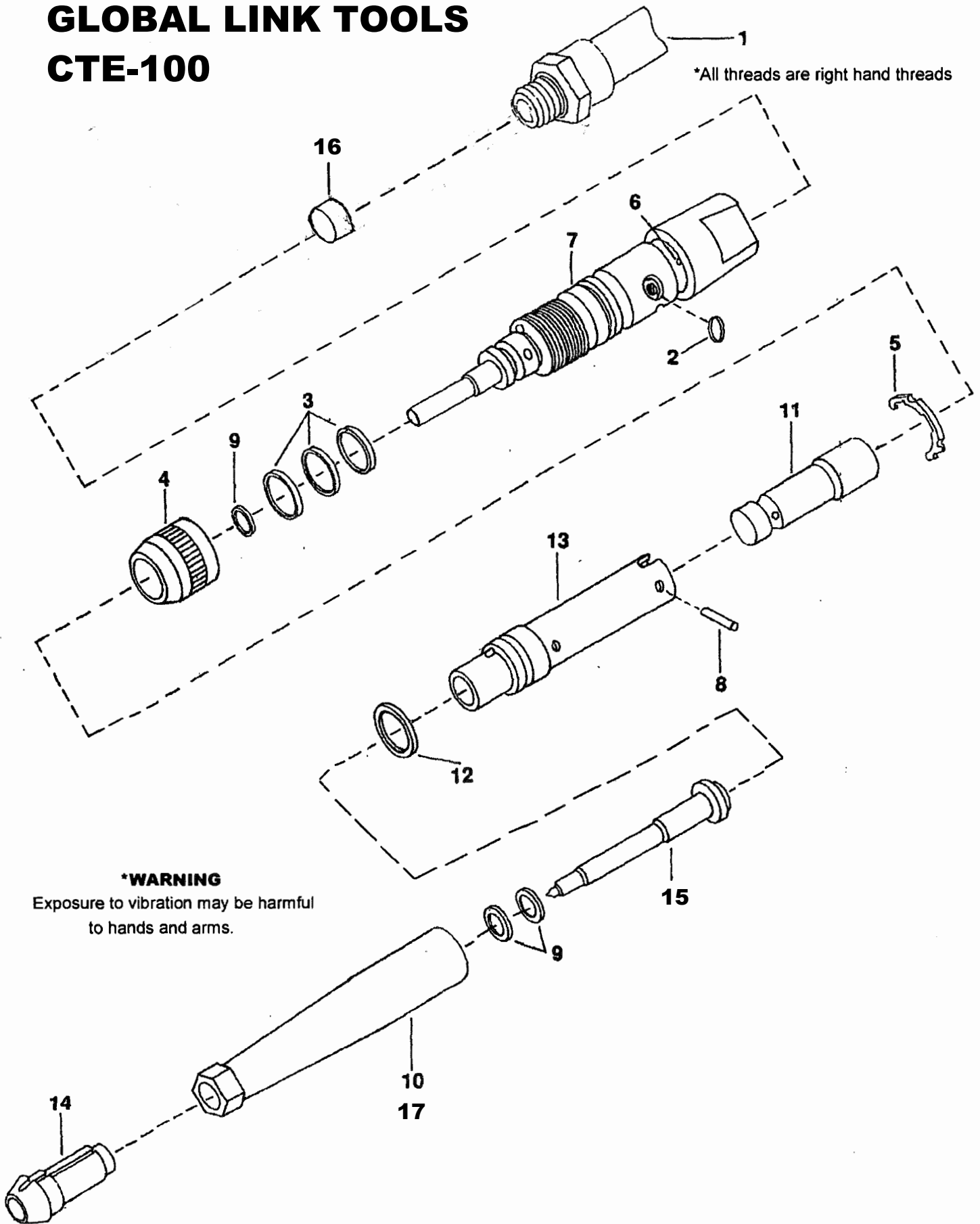


GLOBAL LINK TOOLS

CTE-100



***WARNING**

Exposure to vibration may be harmful to hands and arms.

GLOBAL LINK TOOLS

CTE-100
Carbide Tip Engraver

***PATCO* AIR TOOL**

www.patcoairtools.com

800-727-2201

Index	Description	Qty	Part No.	C.P. Cross Ref. No.
1	Air line	1	7887	P-043886
2	O-ring	1	7919	P-059919
3	O-ring	3	7777	A-082777
4	Throttle sleeve	1	7175-BLK	P-054175
5	Retaining ring	2 halves	7187	P-054187
6	Roll pin	1	7685	G-071685
7	Inlet	1	7173-BLK	P-054173
8	Roll pin	1	7079	CA-092079
9	O-ring	3	7076	P-083076
10	Cylinder sleeve	1	7180-BLK	P-054180
11	Piston	1	7208	P-122208
12	O-ring	1	7071	P-083071
13	Cylinder	1	7174	P-054174
14	Bushing accessory	1	7181-SO	
15	Stylus	1	7177	P-054177
16	Filter cartridge	1	7382	
17	Cylinder sleeve Assm. (Inc.10,14)		7979-BLK	
Not Shown	Repair kit (Inc. 2, 3, 8, 9, 12, 24)	Not included	7264	P-059264